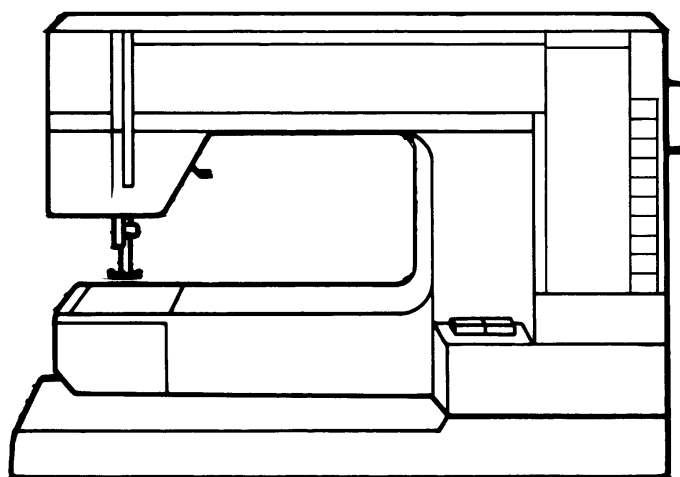


Spare parts list

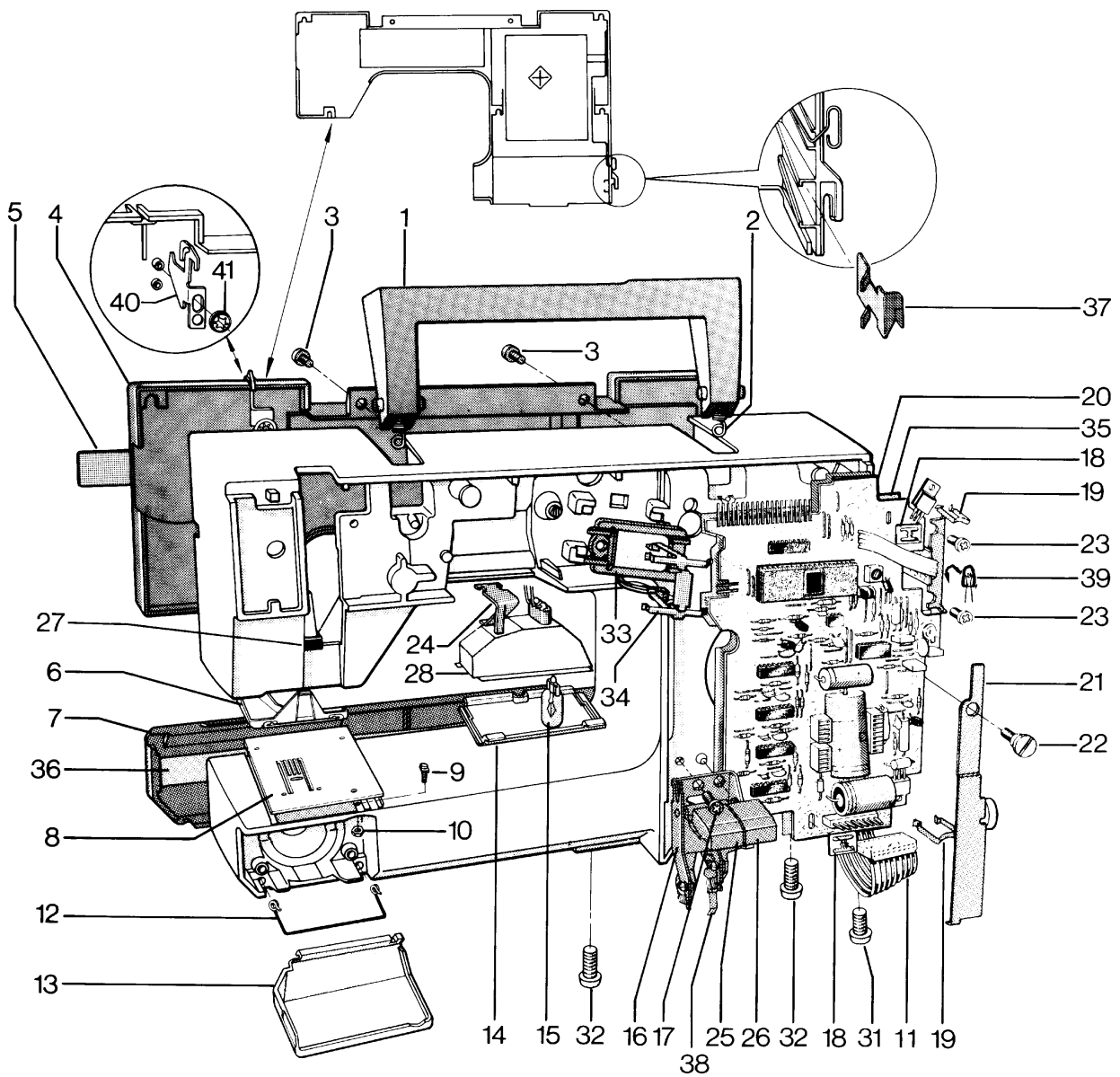


990

990 S

Prisma 990, 990 S

Arm with exterior details



Colours

- e = grey metallic
- f = white
- g = marine blue
- l = black
- q = grey

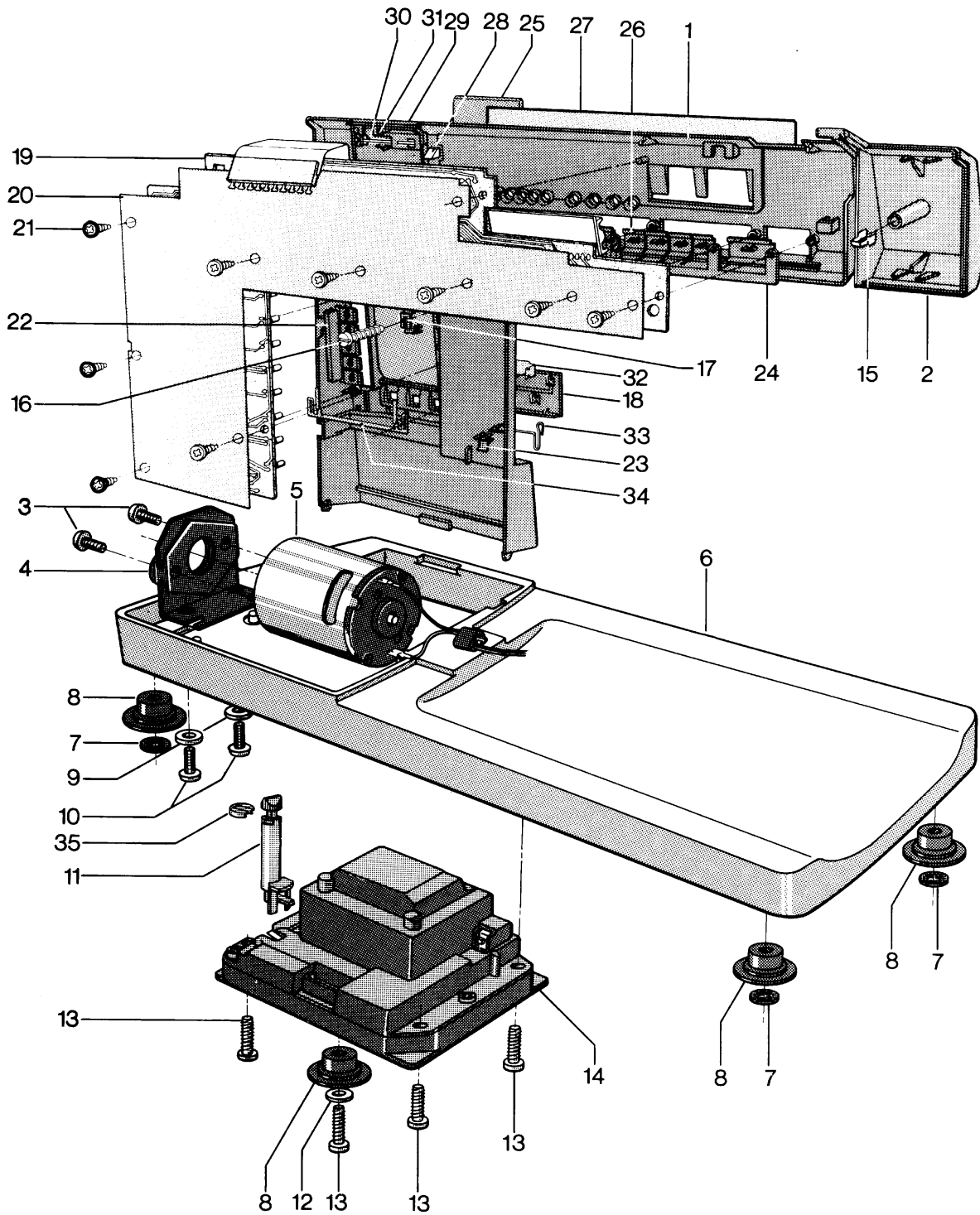
Prisma 990, 990 S

Arm with exterior details

Colours	Pos	Number	Denomination
g	1,2	411 70 31-03	Handle, compl.
	2	411 72 16-01	Spring
	3	724 12 85-05	Screw
gg	4	411 70 34-03	Cover plate, upper arm, cpl.
gg	5	412 04 33-01	Name plate, Husqvarna
gg	5	412 04 33-02	Name plate, Electrolux
	6	411 78 31-01	Lamp guard, sew. head, cpl.
g	7	412 08 43-04	Cover plate, free arm
	8	412 00 54-01	Stitch plate, compl.
	9	411 77 16-01	Guide spindle, stitch plate
	10	412 08 87-01	Nut
	11	411 83 88-02	Cable mat, circuit board
	12	411 88 43-01	Hold down spring, cover
	13	411 70 01-01	Hook cover, transparent
	14	411 78 21-01	Lamp guard
	15	411 78 10-03	Light bulb
	16	411 78 12-01	Feed dog lowering, compl.
	17	724 12 87-01	Screw
	18	411 78 41-01	Clip
	19	411 78 42-01	Mounting clamp
	20	412 19 43-45	Circuit board, 990, 990 S
	20	412 19 45-45	Circuit board, 990 Hiragana
	21	411 77 81-01	Thread guide
	22	411 77 95-01	Shoulder screw
	23	724 12 87-01	Screw
	24	411 89 34-01	Clip
gg	25	411 78 20-05	Switch feed dog lowering
gg	26	411 78 20-06	Main switch
l	27	412 22 56-01	Rubber strip
	28	411 79 76-01	Lamp holder, compl.
	31	724 13 23-01	Screw
	32	724 13 27-01	Screw
	33	411 89 46-01	Solenoid, thread tension, compl.
	34	411 87 77-01	Binding clip
	35	411 87 11-01	Insulationplate
	36	411 75 96-01	Spring, cover plate
	37	412 05 37-01	Thread knife
	38	411 78 36-01	Spring "ON-OFF"
	39	411 83 87-02	Light bulb
	40	411 77 77-01	Thread guide
	41	735 58 35-00	Locking washer

Prisma 990, 990 S

Front panel, base plate, electric equipment



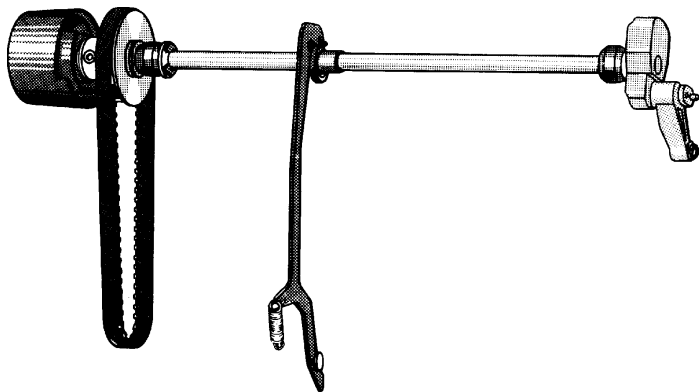
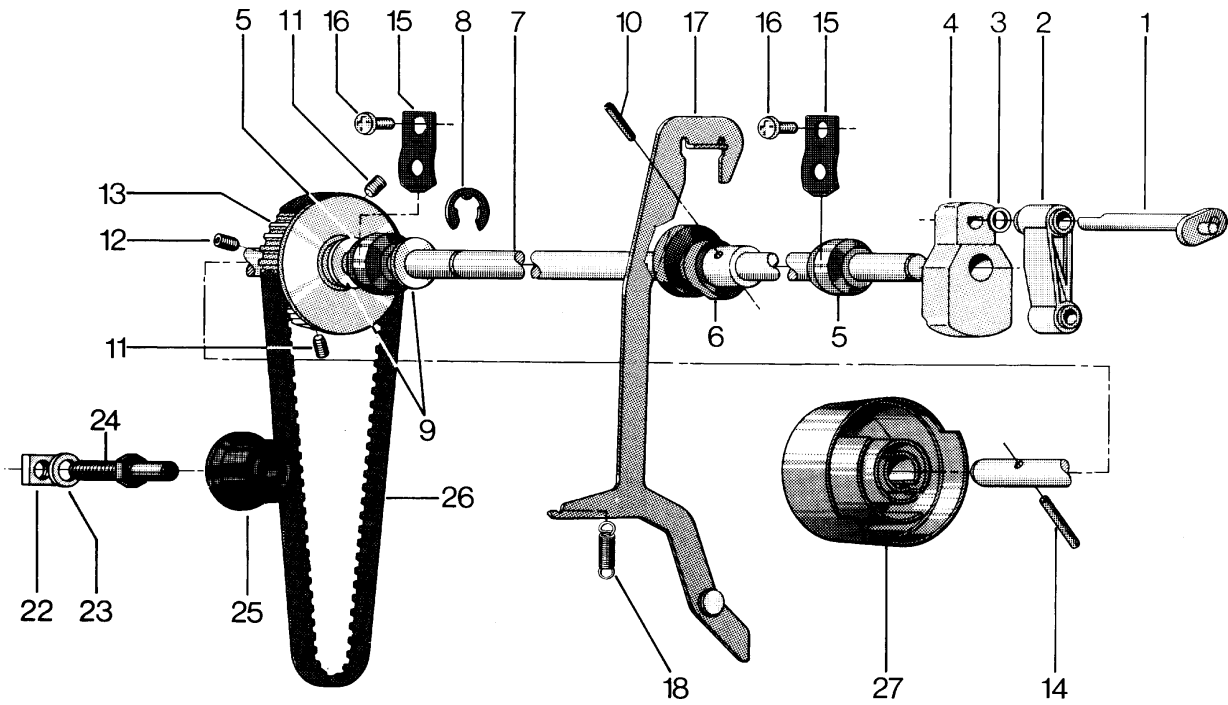
Prisma 990, 990 S

Front panel, base plate, electric equipment

Colours	Pos	Number	Denomination
gg	1,27-34	412 02 63-02	Front cover, compl.
gg	2, 15	411 87 82-07	Front cover, sewing head, cpl.
	3	724 12 92-01	Screw
	4	411 87 80-01	Attachment for motor, cpl.
	5	411 77 59-01	Motor, compl.
	7	735 58 35-00	Locking washer
	8	415 06 03-01	Foot
f	6-8	411 71 63-04	Base plate, compl.
e	6-8	411 71 63-05	Base plate, compl.
	9	734 11 36-01	Washer
	10	724 12 89-01	Screw
	11,35	412 02 74-01	Discon., bobbin wind., cpl.
	12	734 11 40-01	Washer
	13	724 12 93-61	Screw
	14	411 83 69-45	Transformer 220 V, compl.
	14	411 83 69-46	Transformer 240 V, compl.
	14	411 83 69-47	Transformer 120 V, compl.
	14	411 83 69-48	Transformer 100 V, compl.
	14	411 83 69-56	Transf. 120 V, cpl. Taiwan
	15	411 73 47-01	Binding clip
	16	729 52 87-01	Screw
	17	411 88 55-01	Quick-acting lock nut
gg	18	411 88 45-06	Name plate, Husqvarna 990
gg	18	411 88 45-07	Name plate, Viking 990
gg	18	411 88 45-08	Name plate, Electrolux 990
gg	18	411 88 45-12	Name plate, Husqv. 990 S
gg	18	411 88 45-13	Name plate, Viking 990 S
gg	18	411 88 45-14	Name plate, E-lux 990 S
	19	412 02 16-01	Circuit board
	20	411 87 12-01	Insulation plate
	21	411 96 61-01	Screw
gg	22	411 87 79-02	Push-button assem. cass.
	23	411 88 56-01	Tensionclip
gg	24	411 87 55-02	Push-button assembly, length-width
CASSETTES 1-2			
gg	25	412 04 31-01	Cassette 1-2, Swedish
gg	25	412 04 31-06	Cassette 1-2, Danish
gg	25	412 04 31-11	Cassette 1-2, Finnish
gg	25	412 04 31-21	Cassette 1-2, Norwegian
gg	25	412 04 31-26	Cassette 1-2, English
gg	25	412 04 31-31	Cassette 1-2, French
gg	25	412 04 31-36	Cassette 1-2, Dutch
gg	25	412 04 31-41	Cassette 1-2, Italian
gg	25	412 04 31-46	Cassette 1-2, Spanish
gg	25	412 04 31-51	Cassette 1-2, German
gg	25	412 04 31-78	Cassette 1-2, Japanese
CASSETTES 3-4			
gg	25	412 04 32-01	Cassette 3-4
gg	25	412 04 32-02	Cassette 3-4, Hiragana
gg	26	411 87 54-02	Push-button assembly stitch choice
gg	27	412 04 73-01	Panel, stiches
	35	412 02 75-01	Locking ring

Prisma 990, 990 S

Arm shaft transmission



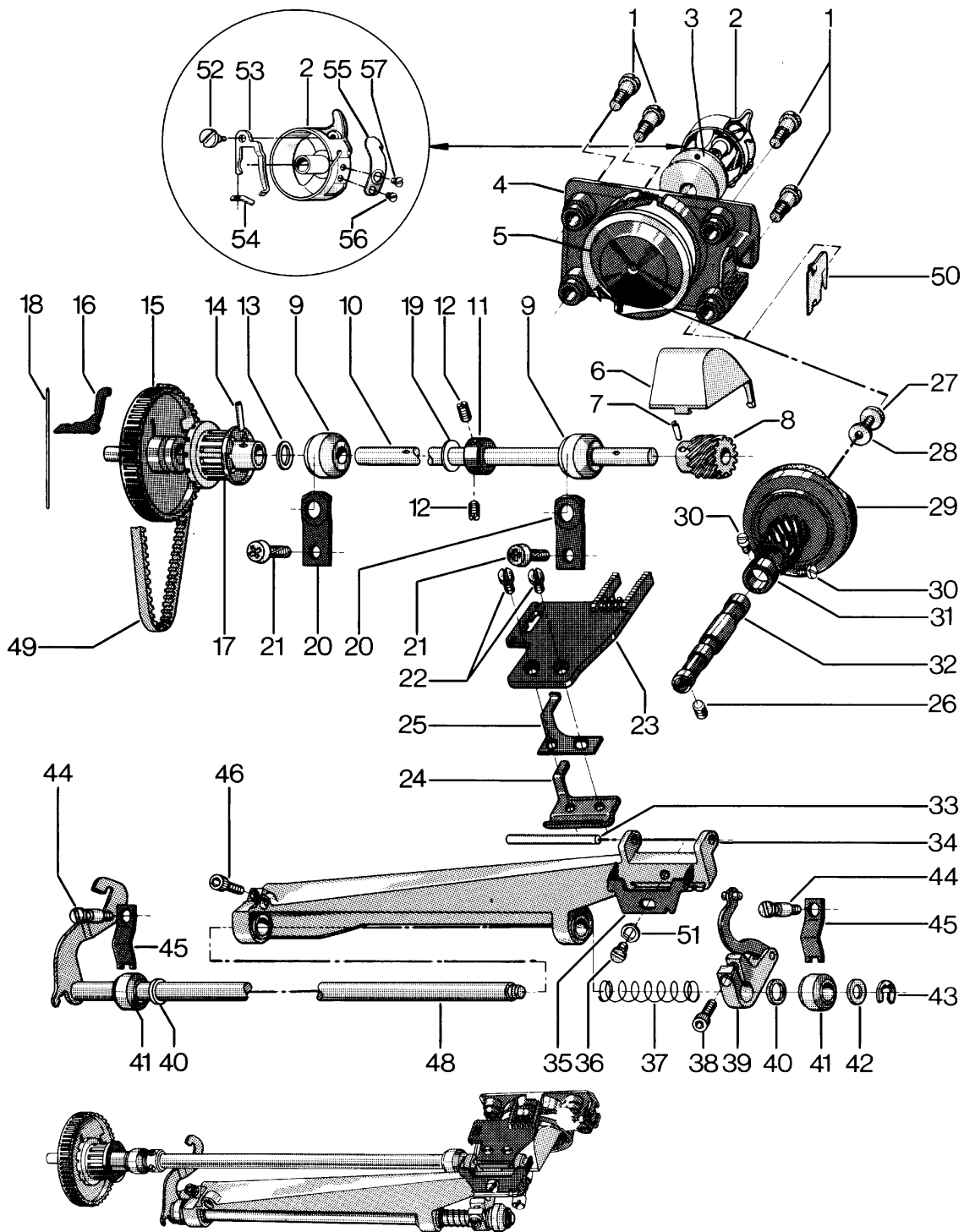
Prisma 990, 990 S

Arm shaft transmission

Colours	Pos	Number	Denomination
	1-14	411 70 42-01	Arm shaft, compl.
	11	728 53 20-05	Screw
	12	728 73 20-01	Screw
	13	411 74 12-01	Driving wheel
	14	411 79 86-01	Driver pin
	15	411 72 00-01	Clamp
	16	724 12 87-01	Screw
	17	411 71 43-01	Connecting rod
	18	411 71 97-01	Spring
	22	411 70 56-01	Nut
	23	734 11 53-01	Washer
	24	411 70 55-01	Pivot pin
	25	411 70 54-01	Belt roll
	26	411 70 64-01	Cog belt
g	27	412 22 22-03	Handwheel, compl.

Prisma 990, 990 S

Lower shaft and shuttle transmission



22-25,33-43,46,48,51

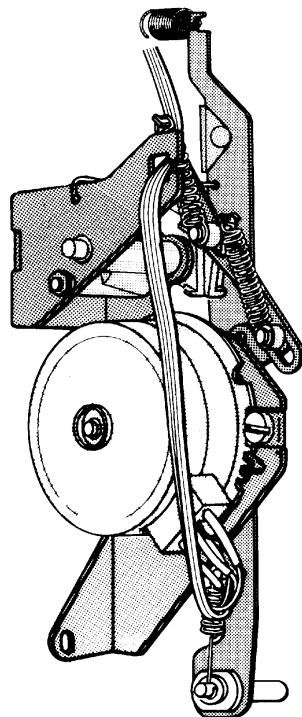
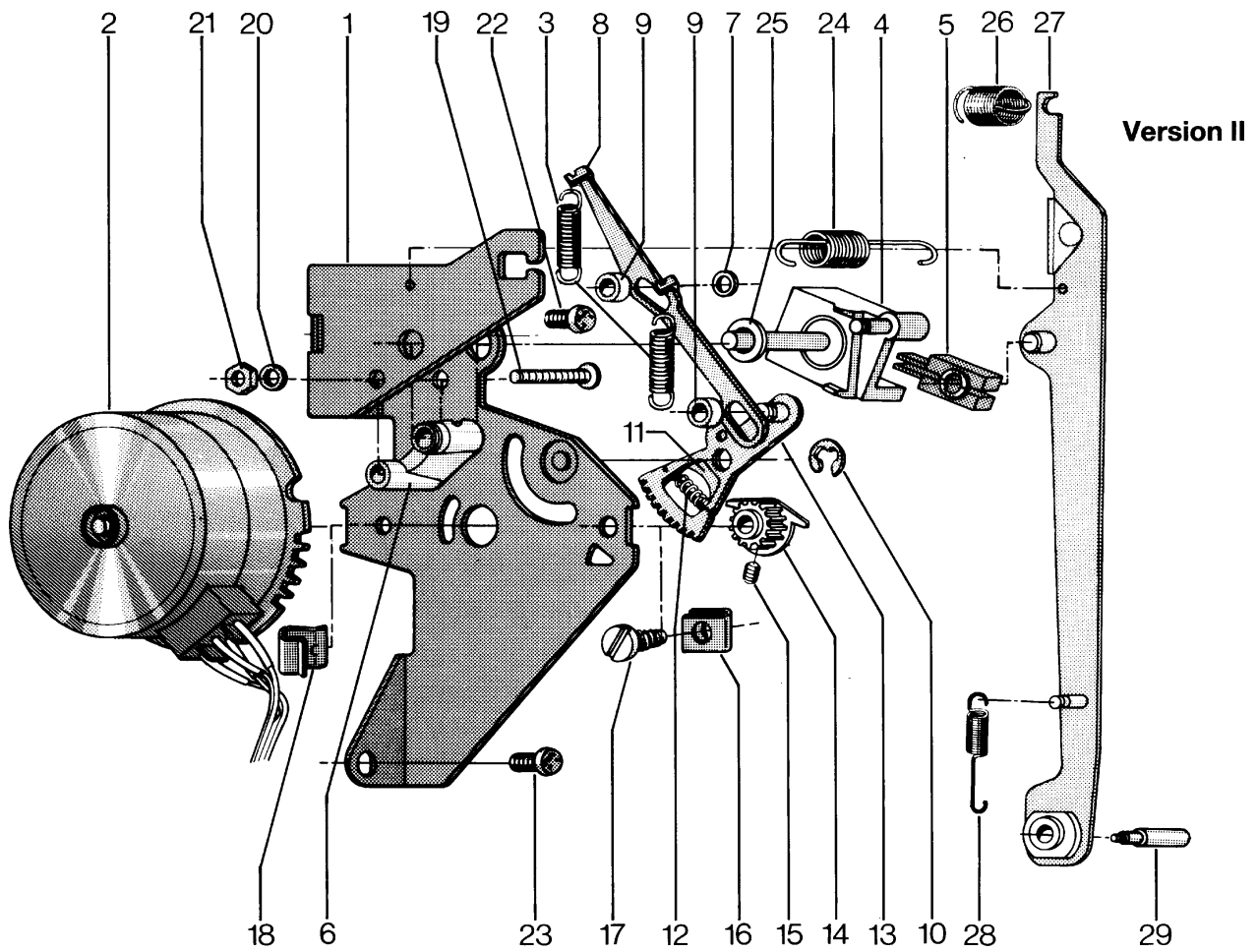
Prisma 990, 990 S

Lower shaft and shuttle transmission

Colours	Pos	Number	Denomination
	1	411 50 51-01	Screw
	2	411 49 62-01	Bobbin case, compl.
	3	412 06 12-01	Bobbin
l	4	411 70 77-02	Hook cover
	5	411 70 74-02	Hook
	6	411 70 81-01	Dust shield
	7	721 41 87-70	Pin
	8	411 70 60-01	Worm gear
	16	411 70 66-01	Lever
	18	411 70 67-01	Spring
	7-19	411 70 58-01	Lower shaft, compl.
	20	411 72 00-01	Clamp
	21	724 12 87-01	Screw
	22	412 00 07-01	Screw
	23	412 00 53-01	Feed dog
	24	412 02 91-01	Clamp, feed dog
	25	411 88 44-01	Locking spring, feed dog
	26	728 83 23-05	Screw
	27-32	411 70 69-01	Shuttle shaft, compl.
	33	411 71 51-01	Shaft, feed dog
	34	411 71 49-01	Length feed arm
	35	411 72 14-01	Adjusting clamp, feed dog,
	36	723 12 84-55	Screw
	37	411 71 55-01	Spring
	38	725 52 91-01	Screw
	39	411 71 53-01	Lever arm, feed lift shaft
	40	411 72 09-01	Washer
	41	411 71 47-01	Bearing, feed lift shaft
	42	411 72 10-01	Washer
	43	735 31 08-20	C-washer
	44	411 78 29-01	Shoulder screw
	45	411 72 01-01	Clamp, feed lift shaft
	46	725 52 91-01	Screw
	47	411 71 38-01	Shaft
	48	411 71 45-01	Shaft, feed lift
	49	411 77 53-01	Cog belt, motor
	50	411 70 78-01	Thread cutter
	51	735 11 36-50	Washer
	22-25, 33-43, 46,48,51	411 71 52-01	Feeding mechanism, compl.
	52	411 06 01-01	Shoulder screw
	53	401 15 35-02	Latch
	54	411 45 96-01	Spring
	55	411 49 65-01	Thread tension spring
	56	411 78 40-01	Screw
	57	411 78 30-01	Screw

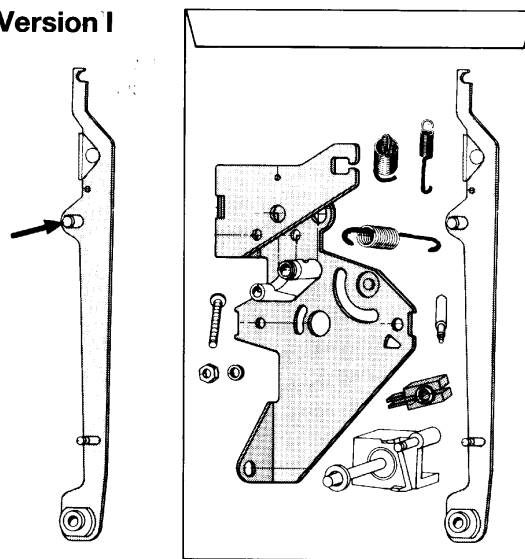
Prisma 990, 990 S

Stitch regulating mechanism



1-29

Version I



1, 4-6, 19-21, 24-29

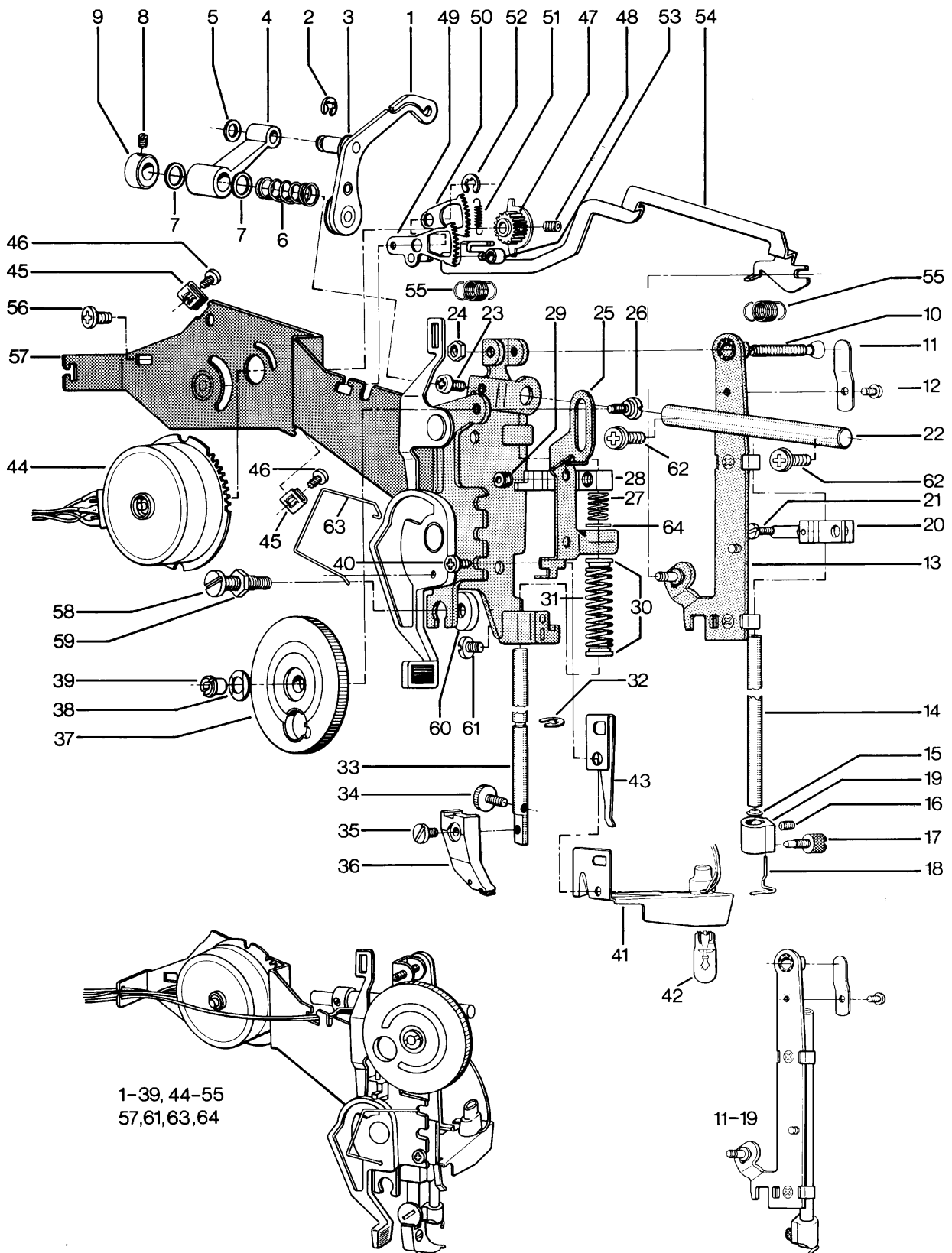
Prisma 990, 990 S

Stitch regulating mechanism

Colours	Pos	Number	Denomination
	2	411 78 76-01	Step motor, compl.
	3	411 64 42-01	Spring
	4,5,25	412 26 82-01	Guide, compl.
	6	412 15 45-01	Bearing
	7	411 98 14-01	Washer
	8	411 75 86-01	Link
	9	411 64 53-01	Distance sleeve
	10	735 31 07-20	C-washer
	11	411 75 90-01	Toothed segment
	12	411 64 40-01	Spring
	13	411 75 89-01	Toothed segment, link, cpl.
	14	412 07 32-01	Cog wheel
	15	728 52 18-01	Screw
	16	411 75 81-01	Quick-acting lock nut
	17	729 23 38-01	Screw
	18	411 75 87-01	Clip
	19	724 32 36-01	Screw
	20	735 11 24-01	Washer
	21	731 23 10-01	Nut
	22	724 12 91-01	Screw
	23	724 12 87-01	Screw
	26	412 18 02-01	Spring
	27	411 73 49-01	Stitch regulator fork, compl. version I
	27	412 18 07-01	Stitch regulator fork, compl. version II
	1,4-6	412 25 63-01	Frame, compl. with guide
	19-21		
	24-29		
	1-29	412 25 64-01	Feeding guide, compl.

Prisma 990, 990 S

Needle bar-, presser bar- and thread take-up lever mechansim



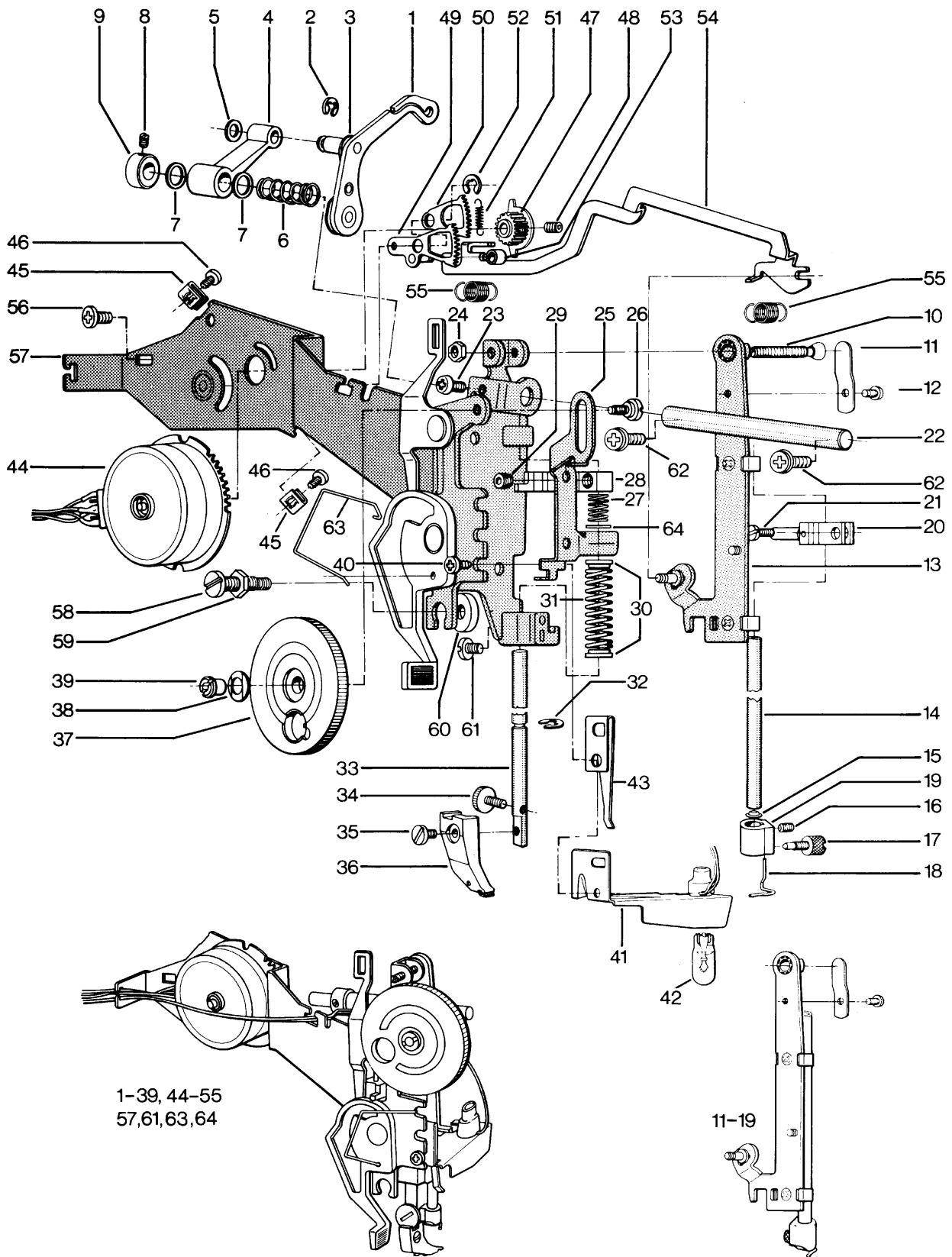
Prisma 990, 990 S

Needle bar-, presser bar- and thread take-up lever mechanism

Colours	Pos	Number	Denomination
	1	411 71 32-01	Thread take-up lever, compl.
	2	735 31 07-20	C-washer
	3	411 96 62-01	Spring washer
	4	411 54 38-01	Guide arm
	5	411 54 39-01	Washer
	1-5	411 71 31-01	Thread take-up lever, compl., with guide arm
	6	411 77 69-01	Spring
	7	411 55 19-02	Washer
	8	411 96 28-03	Set screw
	8,9	411 50 93-01	Stop ring, compl.
	10	411 89 93-01	Pivot
	15	411 75 03-01	Stop, needle clamp
	16	728 52 18-01	Screw
	17	411 75 05-01	Screw, needle clamp
	18	411 75 04-01	Thread guide
	19	411 75 02-01	Needle clamp
	14-19	411 75 00-03	Needle bar, compl.
	11-19	412 24 28-02	Needle bar frame, compl., with needle bar
	20-21	411 78 88-01	Cross head, compl.
	22	412 15 14-01	Shaft, sewing frame
	23	724 12 89-01	Screw
	24	731 23 12-01	Nut
	25	411 74 39-01	Adjusting arm
	26	411 61 97-01	Shoulder screw, (for regulating dial 411 74 34)
	26	412 06 47-01	Shoulder screw, (for regulating dial 412 06 89)
	27	412 02 58-01	Spring, darning
	28	411 74 38-01	Presser bar guide
	29	728 53 21-05	Screw
	30	411 74 81-01	Washer, presser bar spring
	31	412 02 41-01	Presser bar spring
	32	735 31 08-20	C-washer
	33	411 74 94-01	Presser bar
	34	411 75 60-01	Attachm. screw, edge guide
	35	411 63 24-02	Slotted screw
	36	411 74 45-01	Presser foot ankle, compl.
l	37	411 74 34-01	Regulating dial
l	37	412 06 89-01	Regulating dial
	38	411 62 41-01	Spring washer
	39	411 74 92-01	Nut, (for regulating dial 411 74 34)
	39	411 74 92-02	Nut, (for regulating dial 412 01 30, 412 06 89)
	40	729 52 75-01	Screw
	41	411 78 39-01	Lamp-hold, sewing head, cpl.
	42	411 78 10-03	Light bulb
	43	411 78 82-01	Spring, lamp guard
	44	411 78 76-01	Step motor, compl.
	45	411 75 81-01	Quick-acting lock nut
	46	729 23 38-01	Screw

Prisma 990, 990 S

Needle bar-, presser bar- and thread take-up lever mechanism

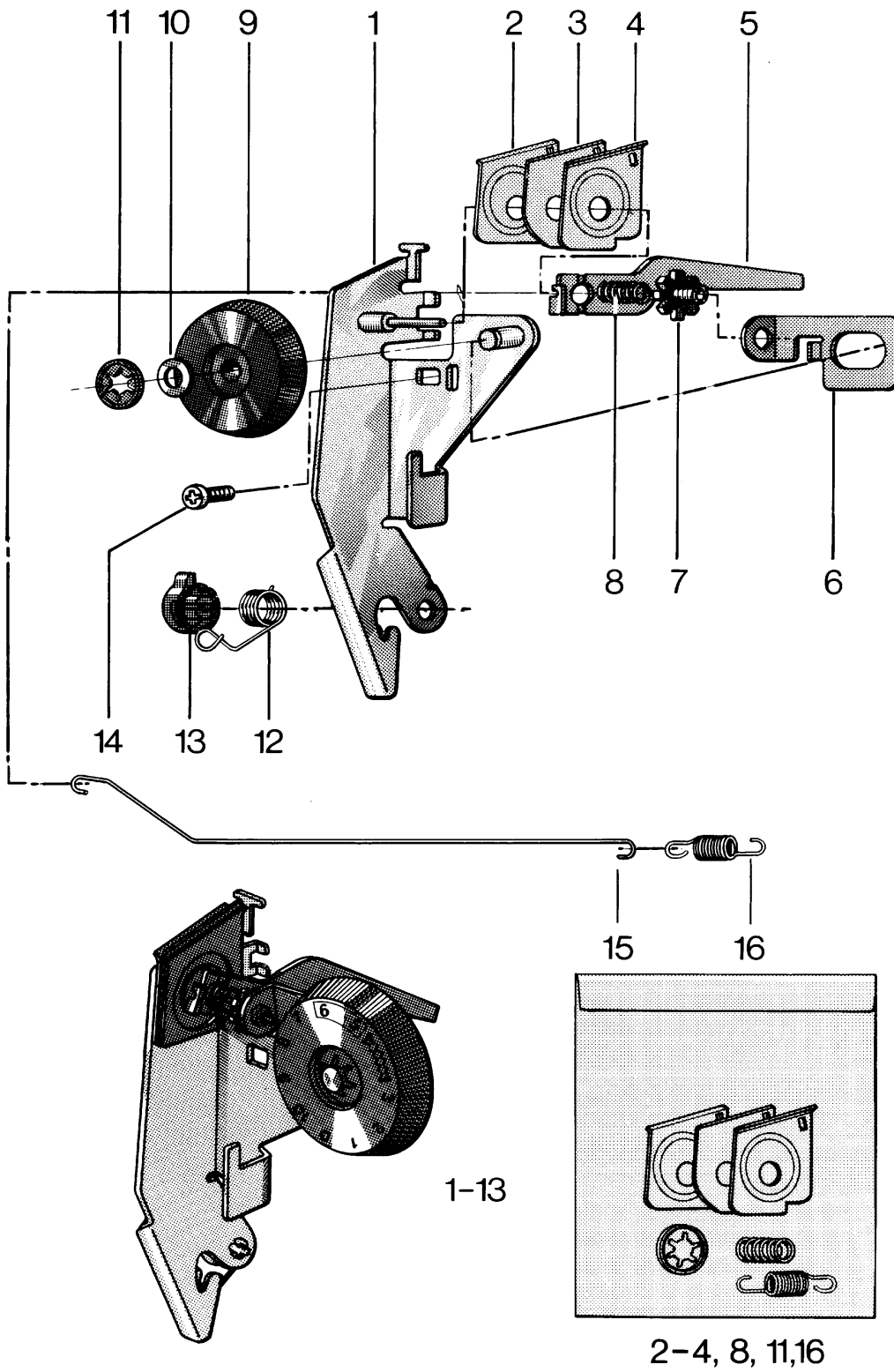


Prisma 990, 990 S

Needle bar-, presser bar- and thread take-up lever mechanism

Colours	Pos	Number	Denomination
	47	412 07 32-01	Cog wheel
	48	728 52 18-01	Screw
	49	411 75 89-02	Toothed segment, link, cpl.
	50	411 75 90-01	Toothed segment
	51	411 64 40-01	Spring
	52	735 31 07-20	C-washer
	53	411 77 61-01	Distance sleeve
	54	411 75 76-01	Draw rod
	55	411 75 78-01	Spring
	56	724 12 87-01	Screw
	57	412 02 26-02	Sewing frame, compl.
	58	412 00 86-01	Shoulder screw
	59	412 00 88-01	Nut
	60	412 00 87-01	Adjusting screw
	61	411 76 55-02	Screw, needle bar stop
	62	411 79 05-01	Collar screw
	63	412 02 95-01	Return spring, presser-bar lever
	64	412 02 62-01	Washer, spring, darning
	1-39,	412 20 61-01	Sewing head, compl.
	44-55,		
	57,61,		
	63,64		

Prisma 990, 990 S
Thread tension device



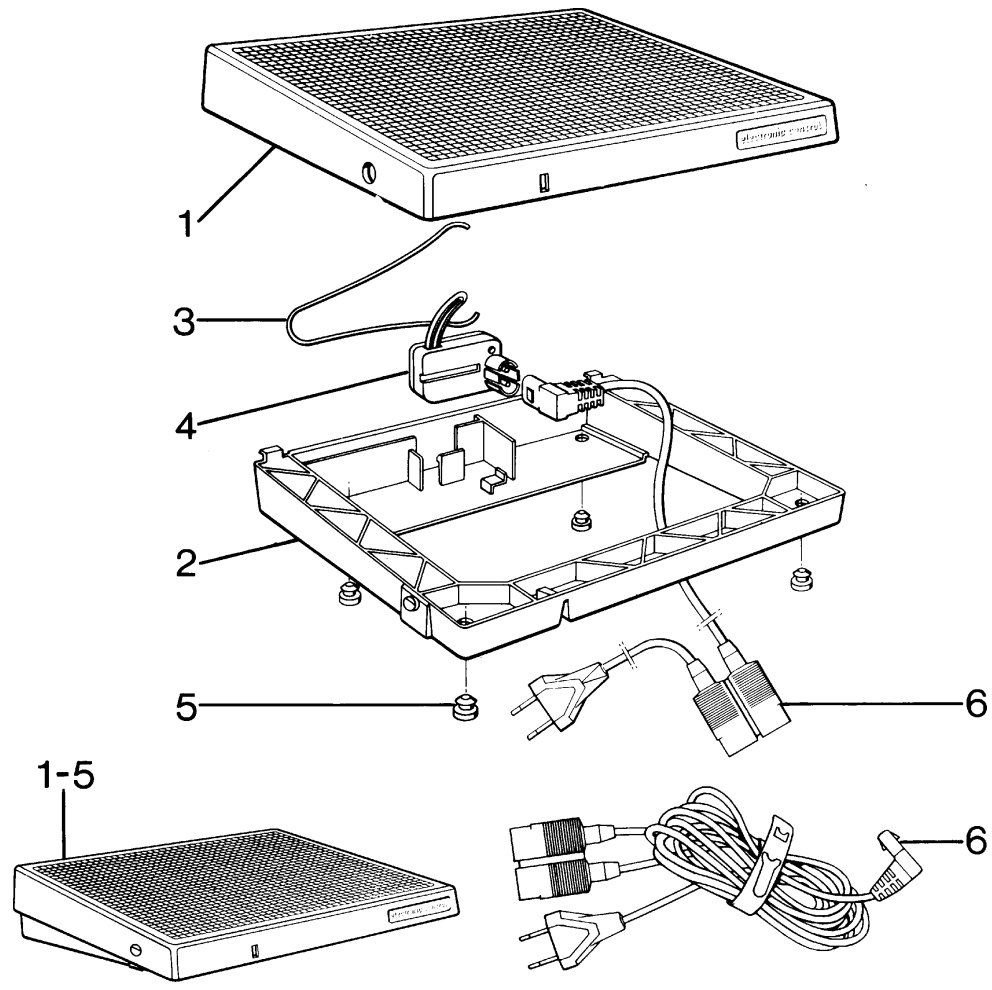
Prisma 990, 990 S

Thread tension device

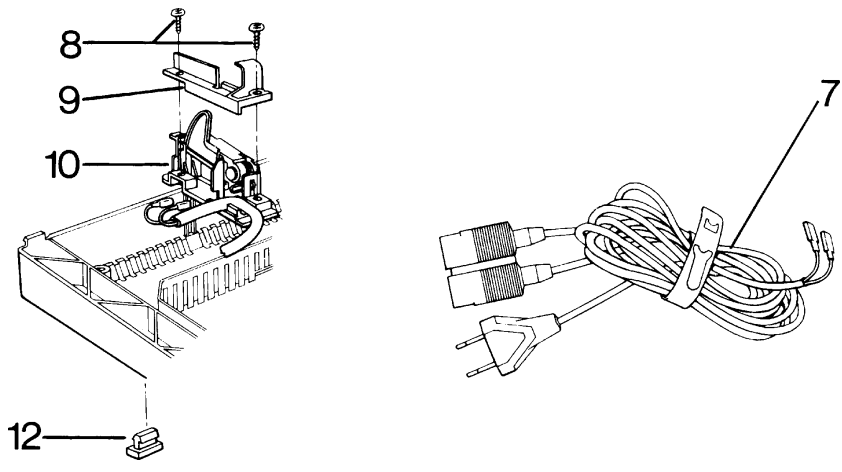
Colours	Pos	Number	Denomination
	1	411 77 40-01	Mounting plate, compl.
	5	411 77 46-01	Release lever, thread tension
	6	411 77 49-01	Control arm
	7	412 08 46-01	Adjusting screw
g	9	411 77 50-06	Thread tension dial
	10	411 96 62-01	Spring washer
	11	735 58 35-00	Locking washer
	12	411 71 59-01	Thread feeding spring
l	13	411 70 83-01	Adjustment casing, thread feeding spring
	14	724 12 87-01	Screw
	15	411 87 76-01	Draw rod, thread tension
	16	412 20 28-01	Spring, draw rod
	2-4,8, 11,16	412 20 70-01	Thread tension discs, compl., with spring
g	1-13	411 77 39-06	Thread tension device, compl.

Prisma 990, 990 S

Foot control



Spare parts for the former design of the foot control.



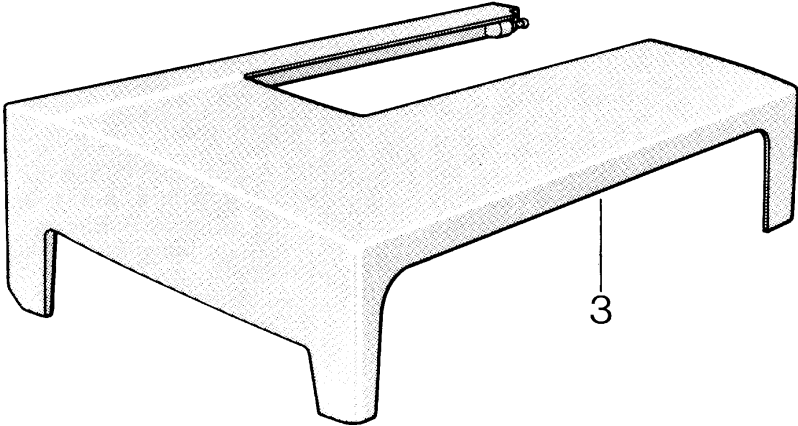
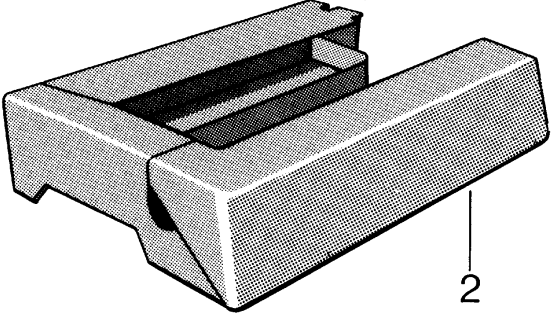
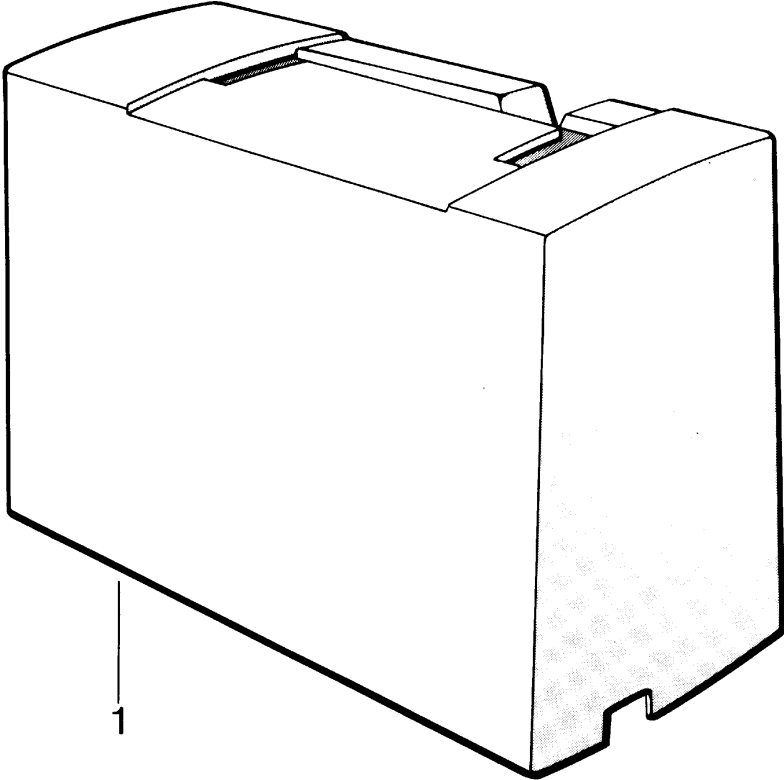
Prisma 990, 990 S

Foot control

Colours	Pos	Number	Denomination
	3	412 15 98-01	Spring
	4	412 15 99-01	Control unit
	5	412 18 45-01	Foot
g	1-5	412 16 00-01	Foot control, compl.
	6	412 15 65-01	Cord device, stand.
	6	412 15 66-01	Cord device, USA, Canada
	6	412 15 67-01	Cord device, England
	6	412 15 68-01	Cord device, Australia
	6	412 15 69-01	Cord device, New Zealand
	7	412 00 01-01	Cord device, stand.
	7	412 00 02-01	Cord device, USA, Canada
	7	412 00 03-01	Cord device, England
	7	412 00 04-01	Cord device, Australia
	7	412 00 05-01	Cord device, New Zealand
	8	729 56 59-01	Screw
	9	411 82 67-01	Clamp
	10	411 89 95-01	Control unit
	12	411 82 84-01	Foot

Prisma 990, 990 S

Accessory box, extension table, cover and standard accessories



Prisma 990, 990 S

Accessory box, extension table, cover and standard accessories

Colours	Pos	Number	Denomination
f	1	411 71 92-01	Cover
g	2	412 08 29-03	Accessory box, compl.
f	3	412 08 84-01	Extension table, compl.
		411 78 26-01	Plastic bag with accessories, compl.
		401 55 55-01	Brush
		411 79 83-01	Screw driver
		412 06 12-01	Bobbins, 6
		401 53 99-01	Buttonhole knife
		411 17 32-01	Clearance plate
		411 78 27-07	Plastic bag with accessories, compl.
		411 39 25-01	Raised seam plate
		411 64 14-01	Needle case
		411 73 95-01	Edge guide
		411 77 93-01	Glide plate, zipper foot
		412 03 74-01	Utility and pattern presser foot B
		411 73 89-01	Buttonhole foot C
		411 73 91-01	Blindstitching foot D
		411 73 93-01	Zipper foot E
		411 73 99-01	Raised seam pr.-foot F
		411 85 30-01	Presser foot H with teflon coating underneath
		411 85 27-01	Edging presser foot J
		411 85 87-01	Glide plate, buttonhole foot
		412 00 16-01	Presser foot, decorative stitches
		412 03 73-01	Zig-zag foot A
q		412 06 88-02	Buttonhole plate
		412 18 18-01	Sleeve, thread reel
		412 08 37-46	Marking pen, Husqvarna
		412 08 38-46	Marking pen, neutral
		412 16 21-01	Pair of scissors (for embr.)
		412 00 57-01	Pieces of cloth for test sewing
		412 06 73-01	Assembly kit for fitting in furniture
		412 09 42-01	Lubricating grease
		411 89 90-01	Lubricating oil
e		412 01 88-01	Touch-up paint, grey metall.
f		412 07 72-01	T-up paint, white, HS 25-433
		427 04 62-01	Shrink film for resealing of original packing